

walimex

Copy of Instruction Manual



Fluorescent Light 110W with bag

FOTO WALSER
SPEZIALVERSAND

Gewerbering 26

86666 Burgheim

Tel. +49/84 32 / 9489-0

Fax: +49/84 32 / 9489 - 8333

eMail: info@foto-walser.de

www.foto-walser.de

Content

1.	How to understand the instruction manual	4
1.1	Markings on the device	4
1.2	Markings in the manual.....	4
2.	Important safety notes	4
3.	Unpack and check the device	6
4.	Overview about the parts	7
5.	Quick start guide	7
6.	Preparation for operation	8
6.1	Mount on tripod (optional).....	8
6.2	Screw in and out of lamps.....	8
6.3	Connect to power supply	8
7.	Operation of the device	9
7.1	Adjust tilt angle	9
7.2	Switch on and off of device	9
7.3	Switch on and off of lamps.....	9
8.	Transportation and storage.....	9
9.	Solve problems.....	10
10.	Maintenance	10
10.1	Continuous inspections	10
10.2	Cleaning.....	10
10.3	Change lamps	11
10.4	Change micro-fuse	11
11.	Accessories and options.....	12
12.	Spare parts	12
13.	Disposal and environment protection	12
14.	Technical specifications	12

Thank you very much for your confidence. We wish you much pleasure and success with your new device.

The Fluorescent Light 110W is equipped with high-quality lamps and therewith particularly suitable for ambitious beginners and professional users in film and studio photography. The lamps are characterized through their long life, stable colour temperature and constant luminance (without flickering).

The reflectors provide a rectangular illumination, cover large projecting area and distribution without shadow effect. An electronic ballast guarantees high power efficiency. The diffuser can be stretched over the reflector as to achieve diffuse light. The end of the reflectors can be connected with the edges and therewith avoid light loss. The body of the Fluorescent Light provides an attractive aluminium housing. Due to its safety and compatibility, the Fluorescent Light is the right choice!

The main features of your device as follows:

- stable light with constant colour temperature
- sturdy plastic/metal housing
- tiltable and rotatable socket, which fits on every common lamp tripod
- can be used with compact cameras.



- **Please read these instructions carefully before using your device for the first time. It includes everything you need to know to avoid physical injuries and damages.**
- **Please pay attention to all safety notes in this instruction manual.**
- **Please keep this manual safe. In case of selling or leaving the device to other persons, please don't forget to hand this manual over as well.**

1. How to understand the instruction manual

1.1 Markings on the device



This marking mean, that your device meets the safety requirements of all relevant European Directives.



This marking mean, that your device should be disposed in the local disposal points. Dieses Zeichen bedeutet, dass Sie das Gerät nur bei einer örtlichen

1.2 Markings in the manual

Marking	Meaning
	Indicates the handling and consequences of safety notes.
WARNING	Indicates a hazardous situation, which, if not avoided, could result in a serious injury or death .
CAUTION	Indicates a hazardous situation, which, if not avoided, may result in minor or moderate injury.
<i>ADVICE:</i>	Indicates potentially physical damages and other important information in connection with your device.

2. Important safety notes

WARNING

Risk of eye injury

The optical radiation of the lamps could blind your eyes and lead to afterimages, if persons and animals look into the lamp directly. This could lead to injuries. Please avoid persons and animals looking into the device directly.

WARNING

Danger of crashing, entrapment and fire through the falling down of the device

The weight of the device is 3,2kg.

- Make sure, that the device is always positioned tilt and skid resistant and stored securely.
- Keep out of reach of children and animal. They could overturn the device.
- Avoid placing cables where they can be tripped over. The device could be overturned.

WARNING

Danger of electric shock, burn hazard

Please note, that the device is still connected with the supply voltage even if it is switched off. Just after disconnecting the device from the power supply through pulling out the power cable, the device is actually de-energized.

- Switch off your device when it is not in use.
- Switch off your device before mounting and maintenance and disconnect from power supply.
- Protect your device against unintended switching-on.
- Unplug the power cord, if the flash is not in use for a long time.

⚠ WARNING

Danger of electric shock, burn hazard

A short-circuit could be caused through defect cables, humidity or moisture. A short-circuit can warm up the conductors, so that their insulation will melt or even melt thoroughly. This could lead to fire.

- Please just use the original cables, which are included in delivery. They are aligned for your device and guarantee the necessary safety for you and your device.
- Don't operate the device with wet hand or feet.
- Operate the device only in dry rooms.
- Don't operate the device outdoors.
- Please only follow this instruction manual for cleaning the device.
- Make sure, that cables and conductors won't be damaged. Damages could be caused through heat impact, chemical influence or through mechanical impacts as rubbing, bending, tearing, rolling over or nibbling animals.
- Prevent your device from falling down.
In case of falling down, please let an electrician check the device before switching on again.
- If your device should be damaged or defect or if you notice a burning smell:
Disconnect the power supply by pulling out the power cord immediately. Never operate your device with damaged housing, damaged reflector, defect lamps or damaged power cord. Don't open the device. Never repair the device on your own. The device should only be repaired by electricians.
- Please follow this instruction manual for maintaining your device.
- Please just use spare parts, which conform to the required specifications.
See *Technical specifications*.

⚠ WARNING

Fire danger through overheating

The device can overheat, if you operate it with covered ventilation slots.

The accessories can overheat, if it does not comply with the necessary specifications.

The device itself, accessories and easily inflammable materials in close distance could catch fire.

- Don't cover the ventilation slots of the device during operation.
- Please just use accessories and spare parts, which conform to the required specifications.
See *Technical specifications*.
- Lamps, which are damaged or deformed through heat, should be exchanged immediately.
- Remove easily inflammable materials, which are in close distance to the device.

⚠ CAUTION

Danger of burning on hot parts

The lamps could heat up up to 90°.

- Don't touch the parts during operation and cooling down.
- Please cool down your device completely before starting any mounting or maintenance arrangements.

⚠ WARNING

Danger of cutting and splitting through breaking lamps, possible discolouration on the lamps

Lamps can break and split, when they fall down.

Even small residues of skin oil on the lamps could lead, due to the high heat impact, to the splitting of the lamp. Broken glass could hurt eyes and skin.

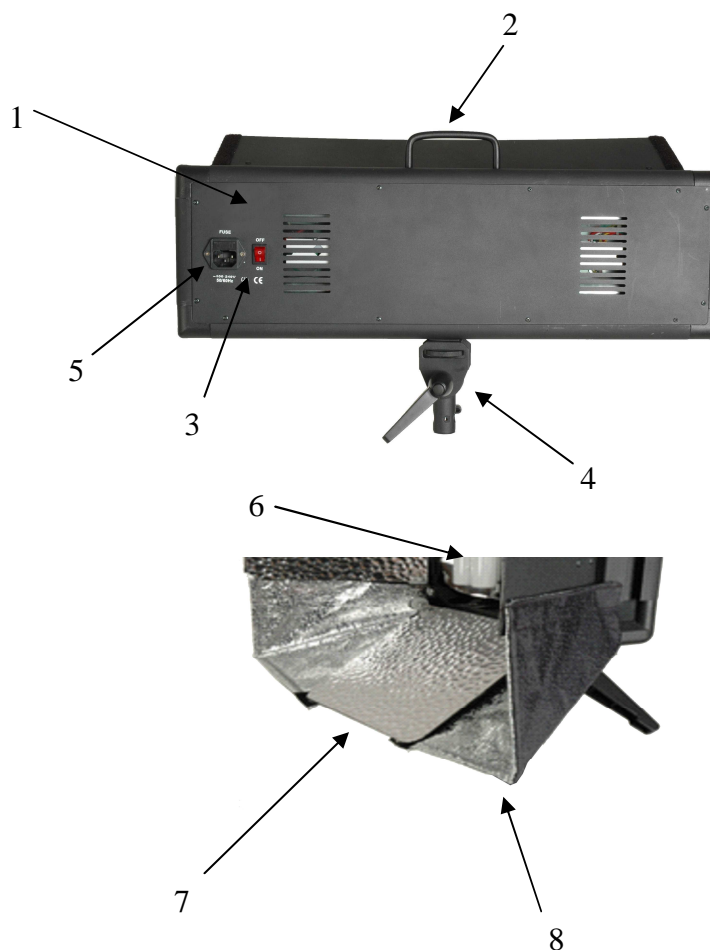
- Please handle the lamps with care to avoid bursting.
- Don't touch the lamps with bare hands. Just touch the lamp at the plastic socket or wear clean cotton gloves or use a clean cloth.
- Avoid touching the flash tube accidentally when mounting or changing accessories.
- Please just use lamps, which comply with EN 60357 Page 3155.

3. Unpack and check the device

- Please unpack your device carefully.
- Please check, if the delivery is complete:
 - 1 Fluorescent Light 110W, with bag
 - 4 Reflector Edges
 - 2 Lamps
 - 1 Power Cable
 - Front Diffuser
 - 1 Instruction Manual in german and english.
- Please check, if the delivery is undamaged.
ADVICE: If the delivery should be uncomplete or damaged, please contact info@foto-walser.or or our service hotline with the telephone number +49 84 32 / 9489-0.

4. Overview about the parts

1. Housing
2. Handle
3. Main Switch
4. Adjustable Lamp Socket
5. Socket for Power Cord
6. Lamp
7. Reflection Covers
8. Reflection Edges



5. Quick start guide

ADVICE:

The detailed instruction for the following operations can be found in the respective chapters in this instruction manual.

Keep the sequences of the following operation steps when using the device for the first time to avoid damages on the device.

⚠ WARNING

Please note the safety notes in the respective chapters throughout operation.

- Mount the device on a tripod (optional).
- Insert lamp.
- Adjust tilt angle.
- Connect to power supply.
- Switch on device.
- Switch the lamp on and off.

6. Preparation for operation

6.1 Mount the device on a tripod (optional)

ADVICE:

Please note the user information of the tripod manufacturer.

⚠ WARNING

Select a tripod of suitable weight and dimensions. See *Technical specifications*.

Make sure, that the tripod with the mounted device has a tilt and skid resistant stand.

1. Loose locking knurl.
2. Mount the device on the tripod.
3. Tighten locking knurl.
4. Open reflection covers.
5. Mount the reflection edges on the edges of the reflection covers.

6.2 Screw in and out of lamps

⚠ WARNING

Danger of cutting and splitting through breaking or bursting lamp

Don't let the lamps fall down.

Just touch the lamp at the plastic socket or wear clean cotton gloves or use a clean cloth.

ADVICE:

Possible discolouration through burn marks on the lamps.

- Switch off device.
See Switch on and off of the device.
- Disconnect from power supply:
Plug out power cord.
- Let the device cool down.
⚠ CAUTION! Danger of burning on lamps. Let the device cool down for approx. 30 minutes.
- Screw in lamps:
Screw in the lamps carefully.
⚠ WARNING! Danger of electric shock. Always screw in all lamps as to avoid touching in the sockets, when the device is switched on.
- Screw out lamp:
Screw out the lamps carefully and store it securely.

6.3 Connect to power supply

- Switch off device.
See Switch on and off of the device.
- Compare the local power supply with the connected load of the device.
See Technical specifications.
If the values differ, please contact info@foto-walser.de or tel. 49 84 32 / 9489-0.
- Connect the power cord with the socket on the device and with the power socket.

7. Operation of the device

7.1 Adjust tilt angle

- Open tilt lever.
- Adjust the required tilt angle.
- Tighten tilt lever.

7.2 Switch the device on and off

- Switch on device:
Set main On/Off tappet switch on I.
 - The device is ready for operation.
 - If the lamp is switched on:
The lamp lights up.
- Switch off device:
Set main On/Off tappet switch on O.
 - If lamp was switched on:
The lamp will go out.

7.3 Switch lamps on and off

The lamps can be switched on and off flexibly through the On/Off tappet switch on the operation panel.

- Switch on device.
See *Switch on and off of the device*.
- Switch on lamps:
See *Switch on and off of the device*.
The lamps will light up.
- Switch off lamps:
See *Switch on and off of the device*.
The lamps will go out.

DFL					
	Distance to Fluorescent Light	2M	3M	4M	5M
55X2	Luminous Flux (LX)	448	219	123	108

8. Transportation and storage

- Switch off device.
See *Switch on and off of the device*.
- Let the device cool down completely.
⚠ WARNING! Danger of burning through hot parts. Let the device cool down completely.
- Screw out lamps and store them securely.
See *Screw in and out of lamps*.
- Demount power cord.
- Clean the device if necessary.
See *Cleaning*.

- Put the device and all demounted elements in one carton and carry and store them according to the requirements in the technical specifications. See *Technical specifications*.

9. Solve problems

Problem	Possible reason	Remedy
Device is switched on, but has no function	Power cord is not plugged or plugged incorrect	Plug in the power cord correctly
	Micro-fuse is defect	Change micro-fuse, see <i>Change micro-fuse</i>
Lamps do not light up	Lamps are switched off	Switch on lamps, see <i>Screw in and out of lamps</i>
	Lamps are not screwed in firmly	Screw the lamp more firmly into the socket
	Lamp is defect	Change the lamp, see <i>Screw in and out of lamps</i>

10. Maintenance

10.1 Continuous inspections

What you should do?	Before every operation	With every change
Check all cables and plugs for damages. In case of damage: ⚠ WARNING! Danger of electric shock and fire through short-circuit. The device should be repaired by an electrician immediately.	X	
Check, if the lamps are screwed in firmly. In case of damage: ⚠ WARNING! Danger of electric shock and fire through short-circuit. The device should be repaired by an electrician immediately.		X

10.2 Cleaning

⚠ WARNING

Danger of cutting and splitting through breaking or bursting lamp

Don't let the lamps fall down.

Don't touch the lamp with bare hands. Just touch the lamp at the plastic socket or wear clean cotton gloves or use a clean cloth.

⚠ WARNING

Danger of electric shock

- The contact with moisture or water should be avoided.
- Unplug the power cord before cleaning the device.

ADVICE: Just use the following specified cleaning supplies.

Fluorescent Light 110W, with bag	Cleaning
Housing	Use a microfiber cloth to remove light and stubborn dirt
Lamps	Wipe off with dust brush or dry, soft cloth <i>ADVICE: Don't clean the lamps with water. Even small residues on the lamps could lead to bursting</i>
Reflection covers	Remove dirt with a wet microfiber cloth.

10.3 Change lamps

⚠ WARNING

Please just use lamps, which are conform with the required specifications.

See *Technical Specifications*.

- Screw lamps out and in.
See *Screw in and out of lamps*

10.4 Change micro-fuse

⚠ WARNING

Danger of electric shock and fire through short-circuit

A micro-fuse, which is not conform with the required specifications, doesn't protect against the overloading of the device.

Please just use a micro-fuse, which is conform with the required specifications. See *Technical Specifications*.

- Switch off device.
See *Switch on and off of the device*.
- Disconnect from power supply:
Unplug power cord.
- Open fuse holder:
Use a small screwdriver to lift up the fuse holder carefully and slightly.
- Pull out the fuse holder with your hands completely out of the slot.
- Take out the old micro-fuse.
- Slide the new micro-fuse in the center of the holder.
- Slide the fuse holder carefully into the slot as far as it goes.

11. Accessories and options

You can find extensive accessories for your device in our webshop.

12. Spare parts

Part of the device	Item number
Lamp (walimex Replacement Lamp Fluorescent Light)	14532
Power Cord	12914

13. Disposal and environment protection

Your device should be disposed free of charge at the local disposal points.

14. Technical specifications

Device	
Protection category	IP 20
Power supply	AC 220 - 230 V / 50 Hz
Weight	3,2 kg
Vertical pivoting radius	180 °
Dimensions (HxWxD)	19 cm x 69 cm x 12 cm
Accessories	Power cord (4 m), Lamps, Reflection edges, Instruction manual

Lamps	
Lamps	110 Watt (2 x 55 W)
Colour temperature	5400 K
Socket	2G11
Micro-fuse	5 A
Permitted operation temperature	-10 °C to + 40 °C
Storage conditions	Dry and dust-free in carton at -20 °C to +50 °C