

*walimex*pro

Copy of Instruction Manual



VC-Quarzlight 1000Q

Inhalt

1.	How to understand the instruction manual	4
1.1	Markings on the device	4
1.2	Markings in the manual	4
2.	Important safety notes	5
3.	Unpack and check the device	8
4.	Overview about the parts	9
5.	Quick start guide	10
6.	Preparation for operation	10
6.1	Mount on tripod (optional)	10
6.2	Demount and mount protection cap.....	11
6.3	Demount and mount reflector	13
6.4	Plug in and out of lamp.....	13
6.5	Connect to power supply.....	14
7.	Operation of the device	15
7.1	Adjust tilt angle.....	15
7.2	Switch the device on and off	15
7.3	Switch the lamp on and off.....	15
8.	Transportation and storage.....	16
9.	Solve problems	17
10.	Maintenance.....	18
10.1	Continuous inspections	18
10.2	Cleaning	18
10.3	Change lamp	19
10.4	Change micro-fuse.....	19
11.	Accessories and options.....	20
12.	Spare parts.....	21
13.	Disposal and environment protection	21
14.	Technical Specifications	22

Thank you very much for your confidence. We wish you much pleasure and success with your device.

The walimex pro VC-Quarzlight 1000Q is a new developed Continuous Light and especially suitable for ambitious beginners and professional users in film and studio photography. The device is characterized through a realistic colour shade, excellent colour temperature and a stable light source.

The main features of your device as follows:

- stable light with constant colour temperature
- reliable cooling fan
- rotatable and tiltable socket, which fits on every common lamp tripod
- very lightweight
- can be used with compact cameras.



- **Please read these instructions carefully before using your device for the first time. It includes everything you need to know to avoid physical injuries and damages.**
- **Please pay attention to all safety notes in this instruction manual.**
- **Please keep this manual safe. In case of selling or leaving the device to other persons, please don't forget to hand this manual over as well.**

1. How to understand the instruction manual

1.1 Markings on the device



This marking mean, that your device meets the safety requirements of all relevant European Directives.



This marking mean, that your device should be disposed in the local disposal points.

1.2 Markings in the manual

Marking	Meaning
	Indicates the handling and consequences of safety notes.
WARNING	Indicates a hazardous situation, which, if not avoided, could result in a serious injury or death .
CAUTION	Indicates a hazardous situation, which, if not avoided, may result in minor or moderate injury.
<i>ADVICE:</i>	Indicates potentially physical damages and other important information in connection with your device.

2. Important safety notes

WARNING

Risk of eye injury

The optical radiation of the lamp could blind your eyes and lead to afterimages, if persons and animals look into the lamp directly. This could lead to injuries. Please avoid persons and animals looking into the lamp directly.

WARNING

Danger of crashing, entrapment and fire through the falling down of the device

The weight of the device is 1,53 kg.

- Make sure, that the device is always positioned tilt and skid resistant and stored securely.
- Keep out of reach of children and animal. They could overturn the device.
- Avoid placing cables where they can be tripped over. The device could be overturned.

WARNING

Danger of electric shock, burn hazard

Please note, that the device is still connected with the supply voltage even if it is switched off. Just after disconnecting the device from the power supply through pulling out the power cable, the device is actually de-energized.

- Switch off your device when it is not in use.
- Switch off your device before mounting and maintenance and disconnect from power supply.
- Protect your device against unintended switching-on.
- Unplug the power cord, if the device is not in use for a long time.

WARNING

Danger of electric shock, fire through short-circuit

A short circuit could be caused through defect cables and through

humidity or moisture. A short-circuit can warm up the conductors, so that there isolation will melt or even melt thoroughly. This could lead to fire.

- Please just use the original cables, which are included in delivery. They are aligned for your device and guarantee the necessary safety for you and your device.
- Don't operate the device with wet hand or feet.
- Operate the device only in dry rooms.
- Don't operate the device outdoors.
- Please only follow this instruction manual for cleaning the device.
- Make sure, that cables and conductors won't be damaged. Damages could be caused through heat impact, chemical influence or through mechanical impacts as rubbing, bending, tearing, rolling over or nibbling animals.
- Prevent your device for falling-down. In case of falling-down, please let an electrician check the device before switching on again.
- If your device should be damaged or defect or if you notice a burning smell:
Disconnect the power supply by pulling out the power cord immediately. Never operate your device with damaged housing, damaged reflector, defect lamps or damaged power cord. Don't open the device. Never repair the device on your own. The device should only be repaired by electricians.
- Please follow this instruction manual for maintaining your device.
- Please just use spare parts, which are conform to the required specifications.
See *Technical Specifications*.

 WARNING

Fire danger through overheating

The device can overheat, if you operate it with covered ventilation slots.

The accessories can overheat, if it does not comply with the necessary specifications.

The device itself, accessories and easily inflammable materials in close distance could catch fire.

- Don't cover the ventilation slots of the device during operation.
- Please just use accessories and spare parts, which are not conform to the required specifications.
See *Technical Specifications*.
- Lamps, which are damaged or deformed through heat, should be exchanged immediately.
- Remove easily inflammable materials, which are in close distance to the device.

⚠ CAUTION

Danger of burning on hot parts

The lamp could heat up to 400-450°C.

- Don't touch the parts during operation and cooling down.
- Please cool down your device completely before starting any mounting or maintenance arrangements.

⚠ WARNING

Danger of cutting and splitting through breaking lamps, possible discolouration on the lamps

Lamps can break and split, when they fall down.

Even small residues of skin oil on the lamps could lead, due to the high heat impact, to the splitting of the lamp. Broken glass could hurt eyes and skin.

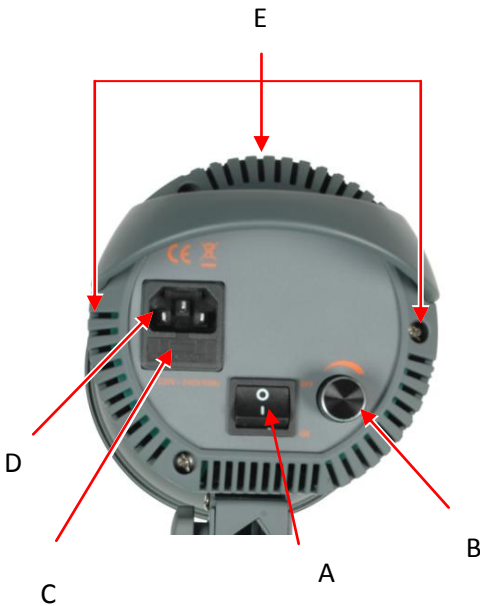
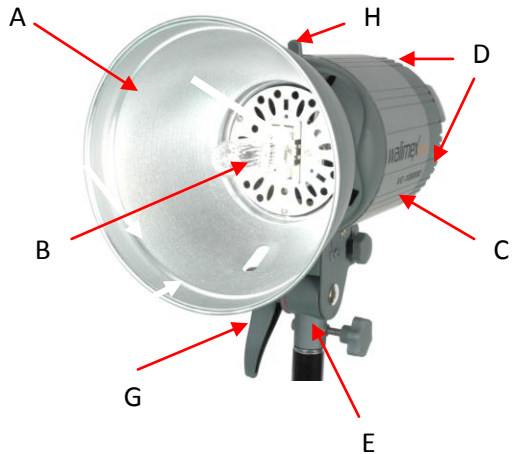
- Please handle the lamp with care to avoid bursting.
- Don't touch the lamp with bare hands. Just touch the lamp at the plastic socket or wear clean cotton gloves or use a clean cloth.
- Avoid touching the lamp accidentally when mounting or changing accessories.
- Please just use lamps, which comply with EN 60357 Page 3155.

3. Unpack and check the device

- Please unpack your device carefully.
- Please check, if the delivery is complete:
 - 1 VC-1000Q Quarzlight
 - 1 Reflector
 - 1 Lamp
 - 1 Power cord
 - 1 Instruction Manual in german and english.
- Please check, if the delivery is undamaged.
ADVICE: If the delivery should be uncomplete or damaged, please contact info@foto-walser.de or our service hotline with the telephone number +49 84 32 / 9489-0.

4. Overview about the parts

- A Reflector
- B Lamp
- C VC-Quarzlight 1000Q
- D Ventilation slots
- E Holder for tripod
- G Tilt lever
- H Unlocking lever for reflector



- A Tappet switch POWER O/I
- B Output controller
- C Fuse holder for micro-fuse
- D Socket for power cord
- E Ventilation slots

5. Quick start guide

ADVICE:

The detailed instruction for the following operations can be found in the respective chapters in this instruction manual.

Keep the sequences of the following operation steps when using the device for the first time to avoid damages on the device.

⚠ WARNING

Please note the safety notes in the respective chapters throughout operation.

- Mount on tripod (optional).
- Demount/mount protection cap.
- Mount reflector.
- Plug in lamp.
- Adjust tilt angle.
- Connect to power supply.
- Switch on device.
- Switch on/off of the lamp.

6. Preparations for operation

6.1 Mount on tripod (optional)

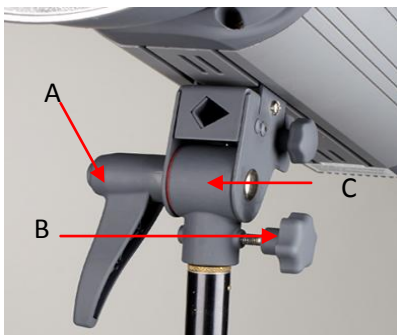
ADVICE:

Please note the user information of the tripod manufacturer.

⚠ WARNING

Select a tripod of suitable weight and dimensions. See *Technical Specifications*.

Make sure, that the tripod with the mounted device has a tilt and skid resistant stand.



- A Locking lever
- B Fixing knurl
- C Tripod holder

1. Loose locking lever.
2. Open fixing knurl.
3. Mount the device on the tripod.
4. Tighten fixing knurl.
5. Close locking lever.

6.2 Demount and mount protection cap

⚠ WARNING

Danger of bursting of lamp

Make sure not to touch the lamp with bare hands accidentally.



- A Insert hole for reflector and protection cap

Demount protection cap:

- Remove safety cap from unlocking lever.
- Push back unlocking lever and keep pressed.
- Turn protection cap anticlockwise as far as it go and take off from the device.
- Release the unlocking lever.

Mount protection cap:

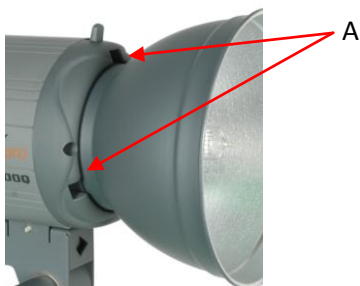
- Cool down the device.
⚠ WARNING! Fire danger through overheating. Danger of burning.
Let the device cool down for approx. 50 minutes.
- Push back unlocking lever and keep pressed.
- Plug in the protection cap into the three openings on the device, turn it clockwise and listen for the cap to snap into place.
- Trigger the unlocking lever.
- Stick the safety cap onto the unlocking lever.

6.3 Mount and demount reflector

⚠ WARNING

Posterior danger of bursting of flash tube

Make sure not to touch the lamp with bare hand accidentally.



A Openings for reflector or protection cap

Mount the reflector:

- Switch off device.
See *Switch the device on and off.*

- Cool down the device.
⚠ WARNING! Danger of burning on reflector and lamp. Please let the device cool down for approx. 50 minutes.
- Demount protection cap.
See Demount and mount protection cap.
- Push back unlocking lever and keep pressed.
- Plug the reflector into the openings, so that the opening for the umbrella (optional) faces downwards.
- Turn the reflector clockwise and listen for the reflector to snap into place.
- Release the unlocking lever.
- Stick the safety cap onto the unlocking lever.

Demount reflector:

⚠ WARNING! Danger of burning on reflector and lamp. Please let the device cool down for approx. 50 minutes.

- Remove safety cap from unlocking lever.
- Push back unlocking lever and keep pressed.
- Turn reflector anticlockwise as far as it will go and take off from the device.
- Mount protection cap.
See Demount and mount protection cap.

6.4 Screw in and out of lamp

⚠ WARNING

Danger of cutting and splitting through breaking or bursting lamp

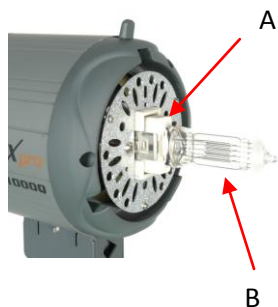
Don't let the lamp fall down.

Don't touch the lamp with bare hands. Just touch the lamp at the plastic socket or wear cotton gloves or use a clean cloth.

ADVICE:

Possible discolouration through burn marks on the lamp.

6. Switch off device.
See *Switch on and off of device*.
7. Disconnect from power supply:
Plug off power cord.
8. Cool down device.
⚠ CAUTION! Danger of burning on lamp. Please cool down the device approx. 50 minutes.
9. Screw in lamp:
Screw in the lamp carefully. Snaps into place. Don't touch the glass with bare hands. Use a cloth or wear gloves.
⚠ WARNING! Danger of electric shock on all lamp sockets.
10. Screw out lamp:
Screw out the lamp carefully and store it securely.



A Lamp socket

B Lamp

6.5 Connect to power supply

1. Switch off device.
See *Switch the device on and off*.
2. Compare the local power supply with the connected load of the device.
See *Technical Specifications*.
If the values differ, please contact info@foto-walser.de or tel. 49 84 32 / 9489-0.
3. Connect the power cord with the socket on the device and with the power socket.

7. Operation of the device

7.1 Adjust tilt angle

1. Open tilt lever.
2. Adjust the required tilt angle.
3. Tighten tilt lever.

7.2 Switch the device on and off

1. Switch on device:
Set main switch POWER on I.
 - The switch lights up. The device is ready for operation.
 - If the lamp is switched on:
The lamp lights up.
2. Switch off device:
Set main switch POWER on O.
 - If lamp was switched on:
The lamp will go out.
 - The lighting of the switch goes out.

7.3 Switch lamp on and off

The lamp can be switched on and off through the five tappet switch.

1. Switch on device.
See *Switch the device on and off*.
2. Switch on lamp:
Set the tappet switch LEUCHTMITTEL on I.
The lamp will light up.
3. Switch off lamp:
Set the tappet switch LEUCHTMITTEL on O.
The lamp will go out.
4. Adjust output
Adjust the required output by turning the output controller.

8. Transportation and storage

1. Switch off device.
See Switch the device on and off.
2. Let the device cool down completely.
⚠ WARNING! Danger of burning through hot parts. Let the device cool down completely.
3. Demount reflector.
See Mount and demount reflector.
4. Demount power cord.
5. Clean the device if necessary.
See Cleaning.
6. Put the device and all demounted elements in one carton and carry and store them according to the requirements in the technical specifications.
See Technical Specifications.

9. Solve problems

Problem	Possible reason	Remedy
Device is switched on, but has no function	Power cord is not plugged or plugged incorrect	Plug in the power cord correctly
	Micro-fuse is defect	Change micro-fuse, see <i>Change micro-fuse</i>
Lamp do not light up	Lamp is switched off	Switch on lamp, see <i>Screw in and out of lamp</i>
	Lamp is not screwed in firmly	Screw the lamp more firmly into the socket
	Lamp is defect	Change the lamp, see <i>Screw in and out of lamp</i>

10. Maintenance

10.1 Continuous inspections

What you should do?	Before every operation	With every change
Check all cables and plugs for damages. In case of damage: ⚠ WARNING! Danger of electric shock and fire through short-circuit. The device should be repaired by an electrician immediately.	X	
Check, if the lamp is screwed in firmly. In case of damage: ⚠ WARNING! Danger of electric shock and fire through short-circuit. The device should be repaired by an electrician immediately.		X

10.2 Cleaning

⚠ WARNING

**Danger of cutting and splitting through breaking or bursting lamp
 Don't let the lamp fall down.**

Just touch the lamp with a clean cloth or wear cotton gloves.

⚠ WARNING

Danger of electric shock

- **The contact with moisture or water should be avoided.**
- **Unplug the power cord before cleaning the device.**

ADVICE: Just use the following specified cleaning supplies.

VC Quarzlight 1000Q	Cleaning
Housing	Use a microfiber cloth to remove light and stubborn dirt
Lamp	Wipe off with dust brush or dry, soft cloth <i>ADVICE:</i> <i>Don't clean the lamp with water. Even small residues on the lamp could lead to bursting</i>
Reflector	Remove dirt with a wet microfiber cloth.

10.3 Change lamp

⚠ WARNING

Please just use lamps, which are conform with the required specifications.

See *Technical Specifications*.

1. Screw lamp out and in.
See *Screw in and out of lamp*.

10.4 Change micro-fuse

⚠ WARNING

Danger of electric shock and fire through short-circuit

A micro-fuse, which is not conform with the required specifications, doesn't protect against the overloading of the device. Please just use a micro-fuse, which is conform with the required specifications. See *Technical Specifications*.

ADVICE:

The fuse holder keeps a spare fuse.

1. Switch off device.
See *Switch the device on and off*.
2. Disconnect from power supply:
Unplug power cord.
3. Open fuse holder:
Use a small screwdriver to lift up the fuse holder carefully and slightly.
4. Pull out the fuse holder with your hands completely out of the slot.
5. Take out old micro-fuse.
6. Take the new micro-fuse out of the spare slot and slide it in the center of the holder.
7. Slide the fuse holder carefully into the slot as far as it goes.



A Fuse holder

11. Accessories and options

You can find extensive accessories for your device in our webshop.

12. Spare parts

Part of the device	Item number
Lamp walimex pro Spare lamp VC-1000Q	15952
Power cord	12914
Reflector	13119
Protection cap	13538

13. Disposal and environment protection

Your device should be disposed free of charge at the local disposal points.

14. Technical Specifications

Device	
Power supply	AC 220 - 230 V / 50 Hz
Weight	1,53 kg
Vertical pivoting radius	180 °
Dimensions incl. (HxWxD)	18 cm x 18 cm x 32 cm
Accessories	Reflector, Power cord (4 m), Lamp, Instruction manual
Lamp	
Quartz lamp	1 x 1000W
Colour temperature	3200 K
Socket	G9,5 two pins
Micro-fuse	6,3 A
Permitted operation temperature	-10 °C to + 40 °C
Storage conditions	Dry and dust-free in carton at -20 °C to +50 °C

Foto Walser GmbH & Co. KG
Gewerbering 26
86666 Burgheim
Tel. +49 84 32 / 9489-0
Fax. +49 84 32 / 9489 – 8333
eMail: info@foto-walser.de
Internet: www.foto-walser.de