

walimex

Copy of Instruction Manual



Balance Boom Stand

FOTO WALSER
SPEZIALVERSAND

Gewerbering 26
86666 Burgheim
Tel. +49/84 32 / 9489-0
Fax: +49/84 32 / 9489 - 8333
eMail: info@foto-walser.de
www.foto-walser.de

Content

1.	How to understand the instruction manual.....	4
1.1	Markings in the manual	4
2.	Important safety notes.....	5
3.	Unpack and check the Balance Boom Stand	5
4.	Overview about the parts	7
5.	Quick start guide	8
6.	Prepare for operation	8
6.1	Mount Balance Boom Stand	8
6.2	Mount device (e.g. studio flash)	9
7.	Operation of Balance Boom Stand	9
7.1	Adjust height.....	9
7.2	Adjust light angle.....	9
7.3	Adjust position.....	9
8.	Maintenance.....	9
8.1	Continuous inspections	9
8.2	Cleaning	10
9.	Technical Specifications	10
10.	Accessories.....	10

What you should do?	Before every operation
Extension arm: Check the weight concerning load, safety and balance	X

8.2 Cleaning

ADVICE: Just use the following specified cleaning supplies.

Balance Boom Stand	Cleaning
Frame	Use water and appropriate cleaning supplies to remove light and stubborn dirt. <i>ADVICE: check the packing of the cleaning supplies for further information</i>

9. Technical Specifications

Width	approx. 65 cm
Length (max.)	approx. 290 cm
Height Trolley Stand (min. to max.)	approx. 165 cm to 225 cm
Height Extension Arm (min. to max.)	approx. 35 cm to 310 cm
Total Weight	approx. 25 kg
Vertical Pivoting Radius	approx. 180 °
Material	metal

10. Accessories

Item 15537 – walimex Sandbag

Thank you very much for your confidence. We wish you much pleasure and success with your new device.

The walimex Balance Boom Stand is ideally suitable for person or product photography. It is the ideal solution for setting highlights or to realize illumination from above in general. Through the flexibility of the extension arm and the moveable frame, your illumination range is huge.

The main features of your device as follows:




- thanks to the spigot useable for all common studio flashes
- variable extension arm
- flexible use through moveable frame



- **Please read these instructions carefully before using your device for the first time. It includes everything you need to know to avoid physical injuries and damages.**
- **Please pay attention to all safety notes in this instruction manual.**
- **Please keep this manual safe. In case of selling or leaving the device to other persons, please don't forget to hand this manual over as well.**

1. How to understand the instruction manual

1.1 Markings in the manual

Marking	Meaning
	Indicates the handling and consequences of safety notes.
 WARNING	Indicates a hazardous situation, which, if not avoided, could result in a serious injury.
 CAUTION	Indicates a hazardous situation, which, if not avoided, could result in a minor or moderate injury.
<i>ADVICE:</i>	Indicates potentially physical damages and other important information in connection with your Balance Boom Stand.

6.2 Mount device (e.g. studio flash)

- Mount the device according to the requirements of its user manual to the spigot of the extension arm.
Adjust the counterweight accordingly. If necessary, use an additional weight with an appropriate sandbag.

7. Operation of the Balance Boom Stand

7.1 Adjust height

ADVICE: Pay attention to the safety notes mentioned in chapter 2

- Open locking lever (9) on the center pillar (4).
- Adjust desired height.
- Tighten locking lever (9) on the center pillar (4).

7.2 Adjust light angle

ADVICE: Pay attention to the safety notes mentioned in chapter 2

- Adjust the extension arm at the position of the counterweights according to your requirements downwards or upwards.

7.3 Adjust position

ADVICE: Pay attention to the safety notes mentioned in chapter 2

- Move the Balance Boom Stand in the appropriate position

8. Maintenance

8.1 Continuous inspections

What you should do?	Before every operation
Check all mounting parts, safety parts and screws on damages. In case of damage: Change mounting parts and screws	X

5. Quick start guide

ADVICE: The detailed instruction for the following operations can be found in the respective chapters in this instruction manual. Keep the sequences of the following operation steps when using the device for the first time to avoid damages on the Balance Boom Stand.

⚠ WARNING

Please note the **ADVICES** and the safety notes throughout operation.

- Mount Balance Boom Stand.
- Mount device (e.g. studio flash).

6. Prepare for operation.

⚠ WARNING

Please mount the Balance Boom Stand with 2 persons as to ensure enough safety.

6.1 Mount Balance Boom Stand. (See Image 1)

- (1) Push the 2 crossbars through the mounting track of the longitudinal bar and tighten the screws fast.
- (2) Mount the 5 wheels on the trolley stand on point (1).
- (3) Fix the storing plate on the trolley stand with 2 screws.
- (4) Mount the center pillar on the trolley stand and fix it with 4 screws.
- (5) Mount the extension arm with 2 screws on the center pillar.
- (6) Mount the crossbar on the outer end of the extension arm.
- (7) Connect the rod with the spigot, with the crossbar from (6).
- (8) Adjust the counterweight to the weight of your device and secure it with screws.
- (9) Open the locking lever on the center pillar for adjusting the desired height.

2. Important safety notes

⚠ WARNING

Danger of crashing, entrapment, burning and fire through the falling down of the device. The weight of the Balance Boom Stand is approx. 25kg. A load capacity from approx. 10kg on the extension arm should not be exceeded.

- Make sure, that the Balance Boom Stand is always positioned skid resistant.
- **ADVICE:** Secure the wheels with the foot pedal brake before starting any mounting, operation or working arrangements.
- 2 persons are necessary for adjusting the height.
- Adjust the height to the lowest position before moving the Stand.
- Always use the appropriate counterweight.

⚠ WARNING

Danger of crashing and entrapment through incorrect operation

- Never remain under the extension arm with the counterweight.
- Make sure, that all safety screws and safety levers are tightened fast.
- While adjusting the position and height, avoid crashing or crushing on pillar, crossbar and joint.
- While adjusting the position, make sure that you do not hurt persons or damage other equipment.

⚠ WARNING

Danger of burning

- Switch off your device (e.g. studio flash) when it is not in use.
- Switch off your device (e.g. studio flash) before mounting and maintenance. Let the parts cool down completely.

⚠ WARNING

Danger of entrapment, cutting and splitting through breaking parts.

- Make sure, that your devices and accessories are always mounted securely and sturdily.
- Check all screws on stability before every operation.

3. Unpack and check the Balance Boom Stand

- Please unpack your device carefully.
- Scope of delivery:
 - 2x Crossbar for trolley stand
 - 1x Longitudinal Bar for trolley stand
 - 1x Device Plate with 2 screws
 - 1x Center Pillar with 4 screws
 - 2x Screws as joint for extension arm middle
 - 2x Screws as joint for extension arm front
 - 1x Rod with spigot
 - 5x Wheels
 - 3x Counterweights + 1x Sandbag
 - 1x Locking Lever for height adjustment
- Please check, if the delivery is undamaged.
ADVICE: If the delivery should be uncomplete or damaged, please contact info@foto-walser.de or our service hotline with the telephone number +49 84 32 / 9489-0.

4. Overview about the parts

- 1 Trolley stand consisting of 2x crossbars and 1x longitudinal bar
- 2 5x Wheels
- 3 1x Storing position for e.g. generators and accumulators
- 4 1x Center Pillar
- 5 2x Screws as joints for extension arm middle
- 6 2x Screws as joints for extension arm front
- 7 1x Rod with spigot
- 8 3x Counterweights
- 9 1x Locking lever for height adjustment

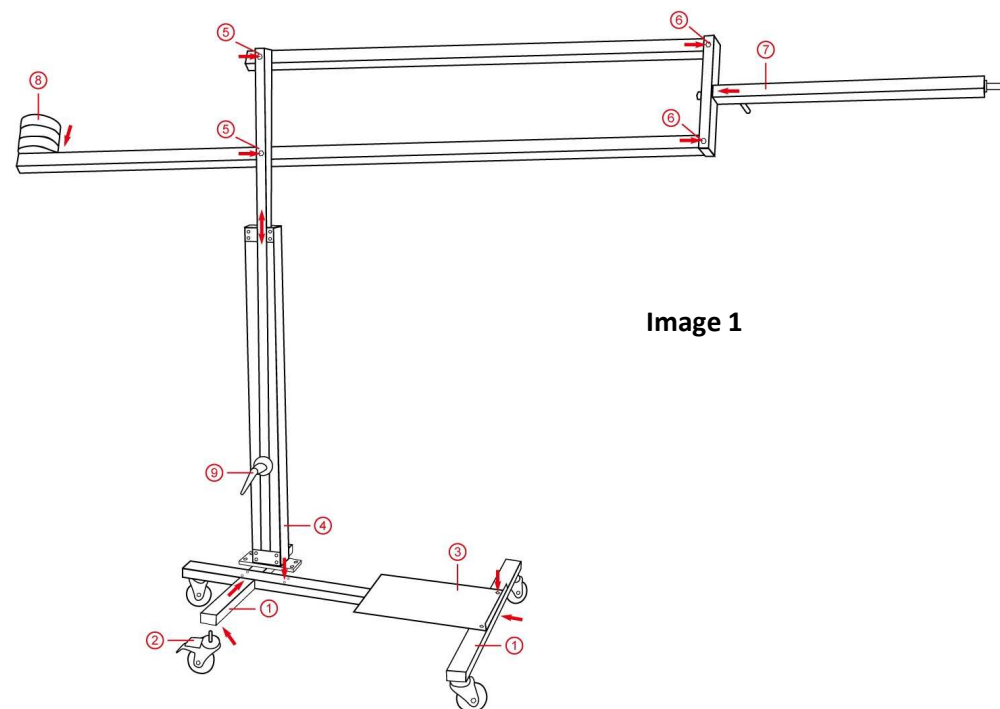


Image 1