

*walimex*pro

Copy of Instruction Manual



Daylight 1050 with Softbox Ø 90 cm

FOTO WALSER
SPEZIALVERSAND

Gewerbering 26

86666 Burgheim

Tel. +49/84 32 / 9489-0

Fax: +49/84 32 / 9489 - 8333

eMail: info@foto-walser.de

www.foto-walser.de

Content

1.	How to understand the instruction manual	3
1.1	Markings on the device	3
1.2	Markings in this manual	3
2.	Important safety notes	4
3.	Unpack and check the device	5
4.	Overview about the parts	6
5.	Quick-start guide	6
6.	Preparation for operation	7
6.1	Mount softbox cover	7
6.2	Mount on tripod (optional)	7
6.3	Screw lamps in and out	7
6.4	Connect to power supply	8
7.	Operation of the device	8
7.1	Adjust tilt angle	8
7.2	Switch device on and off	8
7.3	Switch lamps on and off	8
8.	Transportation and storage	9
9.	Solve problems	9
10.	Maintenance	9
10.1	Continuous inspections	9
10.2	Cleaning	9
10.3	Change lamps	10
10.4	Change micro-fuse	10
11.	Accessories and options	11
12.	Spare parts	11
13.	Disposal and environment protection	11
14.	Technical specifications	11

Thank you very much for your confidence. We wish you much pleasure and success with your new device.

The walimex Daylight 1050 with Softbox Ø 90 cm is a powerful, energy-saving device. The Light is especially developed for ambitious beginners and professional users in film and studio photography.

The main features of your device as follows:

- stable light with constant colour temperature
- rotatable and tiltable socket, which fits on every common lamp tripod
- lamps can be switched on and off
- Softbox approx. Ø 90 cm
- reduced heat development through cold light source



- **Please read these instructions carefully before using your device for the first time. It includes everything you need to know to avoid physical injuries and damages.**
- **Please pay attention to all safety notes in this instruction manual.**
- **Please keep this manual safe. In case of selling or leaving the device to other persons, please don't forget to hand this manual over as well.**

1. How to understand the instruction manual

1.1 Markings on the device



This marking means, that your device meets the safety requirements of all relevant European Directives.



This marking means, that your device should be disposed in the local disposal points.

1.2 Markings in this manual

Marking	Meaning
	Indicates the handling and consequences of safety notes.
WARNING	Indicates a hazardous situation, which, if not avoided, could result in a serious injury or death .
CAUTION	Indicates a hazardous situation, which, if not avoided, may result in minor or moderate injury.
ADVICE:	Indicates potentially physical damages and other important information in connection with your device.

2. Important safety notes

⚠ WARNING

Danger of blinding for eyes

The optical radiation of the lamps could blind your eyes and lead to afterimages, if persons and animals look into the lamp directly. This could lead to injuries. Please avoid persons and animals looking into the flash directly.

⚠ WARNING

Danger of crashing, entrapment and fire through the falling down of the device

The weight of the device is approx. 4kg.

- Make sure, that the device is always positioned tilt and skid resistant and stored securely.
- Make sure, that all screws are tightened firmly and securely.
- Keep out of reach of children and animal. They could overturn the device.
- Avoid placing cables where they can be tripped over. The device could be overturned.

⚠ WARNING

Danger of electric shock, burn hazard

Please note, that the device is still connected with the supply voltage even if it is switched off. Just after disconnecting the device from the power supply through pulling out the power cable, the device is actually de-energized.

- Switch off your device when it is not in use.
- Switch off your device before mounting and maintenance and disconnect from power supply.
- Protect your device against unintended switching-on.
- Unplug the power cord, if the flash is not in use for a long time.

⚠ WARNING

Danger of electric shock, fire through short-circuit

A short-circuit could be caused through defect cables and through humidity or moisture. A short-circuit can warm up the conductors, so that there isolation will melt or even melt thoroughly. This could lead to fire.

- Please just use the original cables, which are included in delivery. They are aligned for your device and guarantee the necessary safety for you and your device.
- Don't operate the device with wet hand or feet.
- Operate the device only in dry rooms.
- Don't operate the device outdoors.
- Please only follow this instruction manual for cleaning the device.
- Make sure, that cables and conductors won't be damaged. Damages could be caused through heat impact, chemical influence or through mechanical impacts as rubbing, bending, tearing, rolling over or nibbling animals.
- Prevent your device for falling-off.
In case of falling-off, please let an electrician check the device before switching on again.
- If your device should be damaged or defect or if you notice a burning smell:
Disconnect the power supply by pulling out the power cord immediately. Never operate your device with damaged housing, defect lamps or damaged power cord. Don't open the device. Never repair the device on your own. The device should only be repaired by electricians.
- Please follow this instruction manual for maintaining your device.
- Please just use spare parts, which are conform to the required specifications.
See *Technical Specifications*.

⚠ WARNING

The device can overheat, if you operate it with covered ventilation slots.

The device itself, accessories and easily inflammable materials in close distance could catch fire. The accessories can overheat, if it does not comply with the necessary specifications.

- Please just use accessories and spare parts, which are conform to the required specifications. See *Technical Specifications*.
- Lamps, which are damaged or deformed through heat, should be exchanged immediately.
- Remove easily inflammable materials, which are in close distance to the device.

⚠ CAUTION

Danger of burning on hot parts

The lamps could heat up up to 100°C.

- Don't touch the parts during operation and cooling down.
- Please cool down your device completely before starting any mounting or maintenance arrangements.

⚠ WARNING

Danger of cutting and splitting through breaking lamps, possible discolouration on the lamps

Lamps can break and split, when they fall down.

Even small residues of skin oil on the lamps could lead, due to the high heat impact, to the splitting of the lamp. Broken glass could hurt eyes and skin.

- Please handle the lamps with care to avoid bursting.
- Don't touch the lamps with bare hands. Just touch the lamp at the plastic socket or wear clean cotton gloves or use a clean cloth.
- Avoid touching the flash tube accidentally when mounting or changing accessories.
- Only use lamps, which comply with EN 60357 Page 3155.

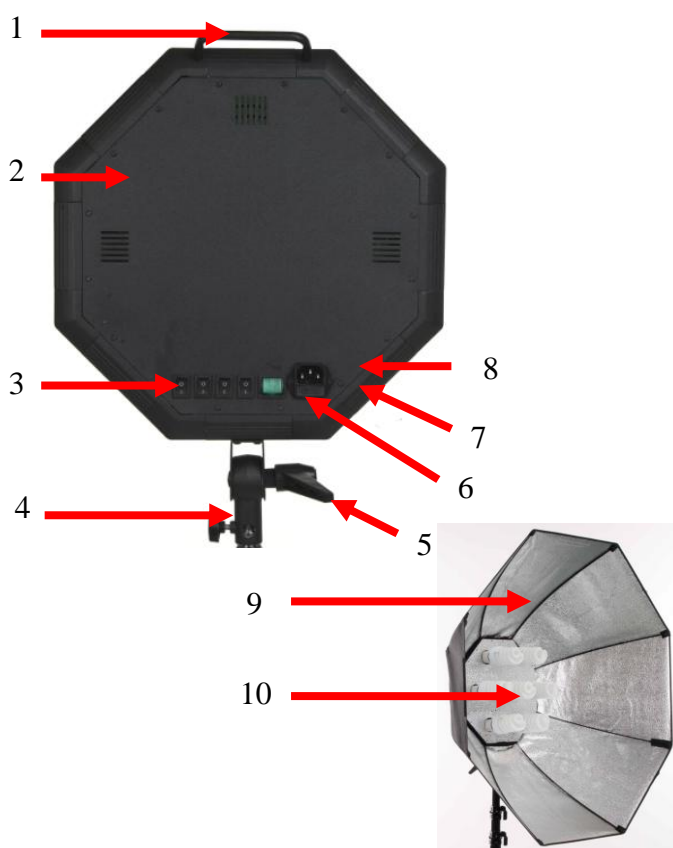
3. Unpack and check the device

- Please unpack the device carefully.
- Please check, if the delivery is complete:
 - 1 x Daylight
 - 1 x Softbox Cover
 - 1 x Front Diffusor
 - 8 x Rods for Softbox Cover
 - 1 x Power Cord
 - 7 x Lamp á 30 Watt
 - 1 x Instruction Manual in German and English.
- Please check, if the delivery is undamaged.
ADVICE: If the delivery should be incomplete or damaged, please contact info@foto-walser.de or our service hotline with the telephone number +49 84 32 / 9489-0.

ADVICE: We reserve the right to make technical and optical modifications in the course of product improvement.

4. Overview about the parts

1. Handle
2. Housing
3. On/Off Switch Lamps
4. Adjustable Lamp Socket
5. Locking Lever Tilt Angle
6. On/Off Tappet Switch
7. Fuse Holder
8. Jack for Power Connection
9. Softbox Cover
10. Lamps



5. Quick-start guide

ADVICE:

The detailed instruction for the following operations can be found in the respective chapters in this instruction manual.

Keep the sequences of the following operation steps when using the device for the first time to avoid damages on the device.

⚠ WARNING

Please note the safety notes in the respective chapters throughout operation.

- Mount softbox cover.
- Mount on tripod (optional).
- Screw lamps in and out.
- Adjust tilt angle.
- Connect to power supply.
- Switch on device.
- Switch lamps on and off.

6. Preparation for operation

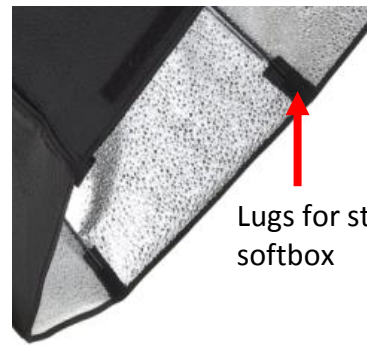
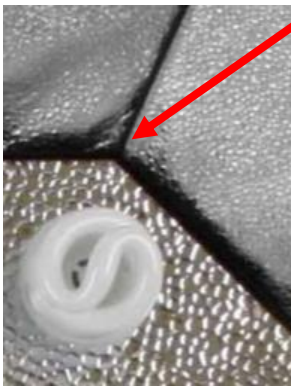
6.1 Mount softbox cover

⚠ WARNING

Danger of cutting and splitting through breaking lamps

- Unfurl the softbox cover on a soft surface (e.g. blanket) and put the Daylight carefully in the center.
- Open the Velcro fastener on the softbox cover.
- Stick the rods with the stronger end in the provided holes at the edges of the Daylight.
- Put the rods into the opposed lugs at the edges of the softbox.
- For stretching the softbox, you can pull the lugs strongly inside and fix with the help of Velcro fastener.
- Close the open softbox ends with the Velcro fastener.

Opening for the rods



Lugs for stretching the softbox

6.2 Mount on tripod (optional)

ADVICE: Please note the user information of the tripod manufacturer.

⚠ WARNING

Select a tripod of suitable weight and dimensions. See *Technical specifications*.

Make sure, that the tripod with the mounted device has a tilt and skid resistant stand.

- Loose locking screw.
- Mount the device with the holder on the tripod.
- Tighten locking screw.

6.3 Screw lamps in and out

⚠ WARNING

Danger of cutting and splitting through breaking or bursting lamp

Don't let the lamp fall down.

Don't touch the lamps with bare hands. Just touch the lamp at the plastic socket or wear clean cotton gloves or use a clean cloth.

ADVICE:

Possible discolouration through burn marks on the lamps.

- Switch off device.
See *Switch the device on and off*.
- Disconnect from power supply:
Demount power cord.
- Let the device cool down.
⚠ CAUTION! Danger of burning on lamps. Let the device cool down for approx. 25 minutes.
- Screw in lamps:
Screw the lamps carefully into the sockets.
⚠ WARNING! Danger of electric shock. Always screw in all 7 lamps as to avoid touching in the sockets, when the device is switched on.
- Screw out lamps:
Screw out the lamps carefully and store them securely.

6.4 Connect to power supply

- Switch off device.
See *Switch the device on and off*.
- Compare the local power supply with the connected load of the device.
See *Technical specifications*.
If the values differ, please contact info@foto-walser.de or tel. 49 84 32 / 9489-0.
- Connect the power cord with the socket on the device and with the power socket.

7. Operation of the device

7.1 Adjust tilt angle

- Open tilt lever.
- Adjust the required tilt angle.
- Tighten tilt lever.

7.2 Switch the device on and off

- Switch on device:
Set On/Off tappet switch on I.
 - The device is ready for operation.
 - When the lamp is switched on:
The lamp lights up.
- Switch off device:
Set On/Off tappet switch on O.
 - When the lamp was switched on:
The lamp goes out.

7.3 Screw lamps in and out

- You can switch the lamps on and off through the On/Off switch on the operation panel according to your requirements.

8. Transportation and storage

- Switch off device.
See *Switch the device on and off*.
- Let the device cool down completely.
⚠ WARNING! Danger of burning through hot parts. Let the device cool down completely.
- Screw out lamps.
See *Screw lamps in and out*.
- Demount power cord.
- Clean the device if necessary.
See *Cleaning*.
- Put the device and all demounted elements in one carton and carry and store them according to the requirements in the technical specifications. See *Technical specifications*.

9. Solve problems

Problem	Possible reason	Remedy
Device is switched on, but has no function	Power cord is not plugged or plugged in incorrect	Plug in power cord correctly
	Micro-fuse is defect	Change micro-fuse, see <i>Change micro-fuse</i>
Lamps do not light up	Lamps are switched off	Switch on lamps, see <i>Switch lamps on and off</i>
	Lamps are defect	Change lamps, see <i>Screw lamps in and out</i>
Softbox cover	Cannot be stretched	Check the Velcro fastener

10. Maintenance

10.1 Continuous inspections

What you should do?	Before every operation
Check all cables and plugs for damages In case of damage: ⚠ WARNING! Danger of electric shock and fire through short-circuit. The device should be repaired by an electrician immediately	X
Check, if the socket of the lamps is firmly In case of damage: ⚠ WARNING! Danger of electric shock and fire through short-circuit. The device should be repaired by an electrician immediately	

10.2 Cleaning

⚠ WARNING

Danger of cutting and splitting through breaking or bursting lamps.

⚠ WARNING

Danger of electric shock

- **The contact with moisture or water should be avoided.**
- **Unplug the power cord before cleaning the device.**

ADVICE: Just use the following specified cleaning supplies.

Daylight 1050 with Softbox	Cleaning
Housing	Use a microfiber cloth to remove light and stubborn dirt
Lamps	Wipe off with dust brush or dry, soft cloth <i>ADVICE: Don't clean the lamps with water. Even small residues on the lamps could lead to bursting</i>
Softbox cover	Use a wet microfiber cloth if necessary

10.3 Change lamps

⚠ WARNING

**Please just use lamps, which are conform with the required specifications.
See *Technical specifications*.**

- Screw lamps in and out.
See *Screw lamps in and out*.

10.4 Change micro-fuse

⚠ WARNING

Danger of electric shock and fire through short-circuit

A micro-fuse, which is not conform with the required specifications, doesn't protect against the overloading of the device.

Please just use a micro-fuse, which is conform with the required specifications. See *Technical specifications*.

- Switch off device.
See *Switch device on and off*.
- Disconnect from power supply:
Unplug power cord.
- Open fuse holder:
Use a small screwdriver to lift up the fuse holder carefully and slightly.
- Pull out the fuse holder with your hands completely out of the slot.
- Take out the old micro-fuse.
- Slide the new micro-fuse in the holder.
- Slide the fuse holder carefully into the slot as far as it goes.



11. Accessories and options

You can find extensive accessories for your device in our webshop.

12. Spare parts

Part of the device	Item number
Power cord	12914
Lamps (walimex Spiral Daylight Lamps 30 W)	16848

13. Disposal and environment protection

Your device should be disposed free of charge at the local disposal points.

14. Technical specifications

Daylight 1050 with Softbox Ø 90	
Micro-fuse	10A
Power supply	AC 220 - 230 V / 50 Hz
Weight	approx. 4 kg
Vertical Pivoting Radius	180 °
Dimensions Device (LxWxD)	approx. 40 cm x 32 cm x 7 cm
Diameter Softbox	approx. 90 cm
Protection Class	IP 20
Accessories	Power cord (approx. 4 m), instruction manual, Softbox cover, Front diffusor, Rods for Softbox, Lamps
Output in Lux with 2m distance, with Softbox	approx. 1500 lx
Output in Watt (7 x 30W – E27) Spiral Daylight Lamps (energy-saving lamps), which comply with EN 60357 Page 3155	210 W
Colour Temperature	approx. 5000 -5500 K
Permitted operation temperature	-10 °C to + 40 °C
Storage conditions	Dry and dust-free in carton at -20 °C to +50 °C

