

walimex

Copy of Instruction Manual



Digital Timer Radio Remote Trigger

FOTO WALSER
SPEZIALVERSAND

Gewerbering 26
86666 Burgheim
Tel. +49 84 32 / 9489-0
Fax. +49 84 32 / 9489 - 8333
E-mail: info@foto-walser.de
www.foto-walser.de

Content

1.	How to understand the instruction manual	4
1.1	Symbols on the device	4
1.2	Symbols in the manual	4
2.	Important safety notes	4
3.	Unpack and check the device	5
4.	Overview of device elements and operating elements.....	6
5.	Operation of the device	8
6.	Solve problems	15
7.	Maintenance of the device.....	16
7.1	Continuous inspections	16
7.2	Cleaning the device.....	16
8.	Accessories and options.....	16
9.	Disposal and environmental protection	16
10.	Technical specifications.....	17
11.	Compatibility	18

We would like to thank you for your confidence and wish you much joy and success with your new device.

The main features of the device are as follows:

- ideal for shots from a distance
- range of up to approx. 100m in open rooms
- digital time control via LCD display
- especially suitable for time-lapse pictures, e.g., of blooming flowers or in astrophotography
- low power consumption
- illuminated display
- focusing like on the camera with a two-step trigger
- delayed exposure, longtime exposure and interval exposure
- up to 16 channels to choose from in order to work with several devices at once
- incl. cable for cable-based remote trigger



- **Please read these instructions carefully before using your new device for the first time. They include everything you need to know to avoid physical injuries and damages.**
- **Please pay attention to all safety notes in this instruction manual.**
- **Please keep this manual safe. If you are selling or leaving the device to other persons, please ensure to hand this manual over as well.**

1. How to understand this instruction manual

1.1 Markings on the device



This marking means that your device meets the safety requirements of all relevant European Directives.



This marking means that your device must be disposed of at local disposal areas.

1.2 Symbols in the manual

Symbol	Meaning
	Indicates the handling and consequences of safety notes.
<i>NOTE:</i>	Indicates potential material damages and other important information regarding your device.

2. Important safety notes



Danger of breaking due to falling of the devices and other damages.

- **Do not operate the device with wet hands or feet.**
- **Only operate the device in dry rooms and areas.**
- **Clean the device exclusively as described in this instruction manual.**
- **Ensure that cables and conductors are not damaged. Damage could be caused due to heat impact, chemical influence or due to mechanical impacts such as rubbing, bending, tearing, rolling over, or nibbling animals.**
- **Prevent your device from falling.**
In the case of it falling, please have an electrician check the device before switching it on again.

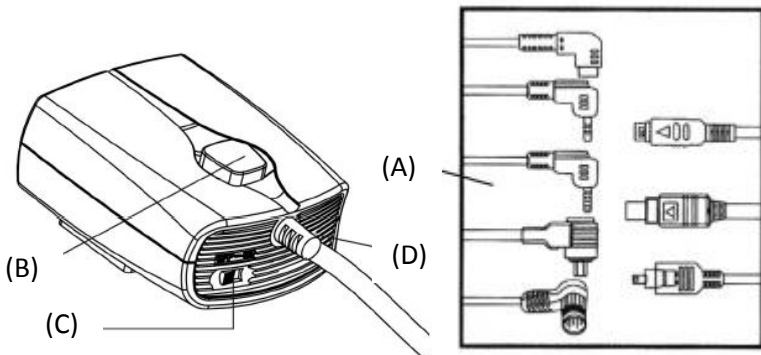
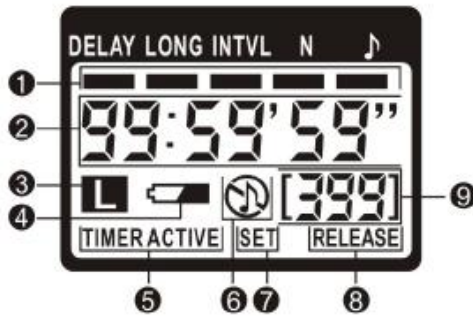
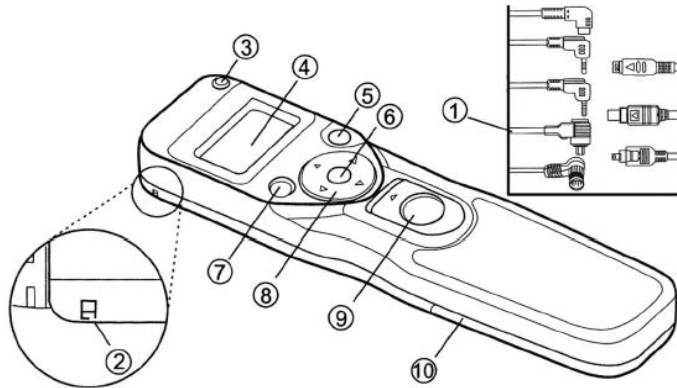
- **If your device is damaged or defective or if you notice a burning smell: Do not operate the device with a damaged housing or a damaged cable. Do not open the receiver. Never repair the device on your own. Have the device repaired exclusively by an electrician.**
- **Please follow this instruction manual for maintaining your device.**
- **Cut off power supply by removing the batteries before maintenance measures.**

3. Unpack and check the device

1. Please unpack the delivery carefully.
2. Please check if the scope of delivery is complete:
 - 1 x Digital Timer Radio Remote Trigger
 - 1 receiver
 - 1 transmitter
 - 1 sync cable
 - 1 x instruction manual in German and English
3. Please check if the scope of delivery is undamaged.
NOTE: If the scope of delivery is incomplete or damaged, please contact info@foto-walser.de or our service hotline with the telephone number +49 84 32 / 9489-0.

We reserve the right to make technical and optical modifications in the course of product improvement.

4. Overview of device elements and operating elements



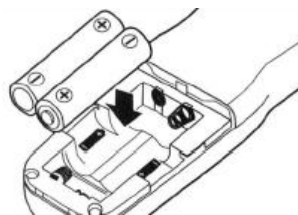
Transmitter	
① Connector	❶ Functional cursor
② Strap eyelet (use cell phone or similar strap)	❷ Time display
③ Focus and the release of two-color indicator light	❸ Lock indicator
④ Display panel	❹ Low battery indicator
⑤ Timer Start/Stop button	❺ Timer Active indicator
⑥ Set button	❻ Speaker on/off indicator
⑦ Lighting/Lock button	❼ Set indicator
⑧ Arrow button	❽ Release indicator
⑨ Shutter-release button	❾ Number of shots
⑩ Battery compartment cover	

Receiver	
(A)	Shutter release cable
(B)	Shutter release button
(C)	Power on/off switch
(D)	Status indicator

5. Operation of the device

Inserting Batteries

Open the battery compartment cover ⑩ on the back of the transmitter, and insert two AAA 1.5V LR03 alkaline batteries as shown.



The Low Battery Indicator

The low battery indicator ④ will blink when the batteries are low. Please replace the batteries.

Replacing Batteries

When replacing batteries:

- Check that the TIMER ACTIVE ⑤ and RELEASE ⑧ indicators are not displayed.
- Turn the camera off and disconnect the trigger.
- Remove the batteries.
- Wait until the control panel has gone out and insert new batteries.

When the Trigger is not in use

The Trigger is not equipped with an off switch. To reduce the drain on the batteries when the Trigger is not in use, end shooting and check that the TIMER ACTIVE ⑤, SET ⑦, RELEASE ⑧ indicators are not displayed. The drain on the batteries increases when these indicators are flashing.

Lighting/Lock Button

Press the lighting/lock button ⑦ briefly to activate the control panel backlight. The backlight will remain lit for about six seconds; pressing the arrow button ⑧ while the backlight is on the timer is extended for another six seconds.

To lock all controls except the shutter release ⑨ and lighting/lock buttons, press the illuminator lock button until the lock icon (L) is displayed in the control panel. To release the lock, please press the lighting/lock button until the lock icon is no longer displayed.



Connecting the trigger

1. Turn the camera off.
2. Check that the TIMER ACTIVE ⑤ and RELEASE ⑧ indicators are not displayed.
3. Remove the remote cord socket terminal cover from the camera. By connecting the camera shutter, the camera will firmly be connected to the receiver with the shutter plug (A)

Disconnecting the trigger

After checking that the TIMER ACTIVE ⑤ and RELEASE ⑧ indicators are not displayed, turn the camera off and disconnect the trigger. Replace the remote cord socket terminal cover.

Using the trigger

The Trigger functions as:

- **An automatic timer:** Choose the delay (time before shooting starts), exposure time, interval and number of shots for timed interval photography. Shutter speed can be selected with the camera if desired.
- **A manual release:** Take photographs manually using the shutter-release button on the trigger. Photographs can be taken manually even when the timer is running.

Timed Photography

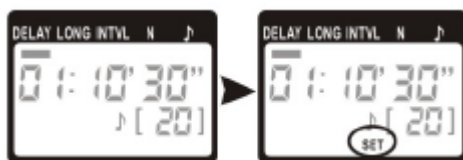
- Adjust Camera Settings

- Connect the trigger and turn the camera on
- Adjust camera settings as follows (see the camera manual for details):

Exposure mode	M (manual)
Shutter speed	Bulb
Interval timer	Off
Focus mode	AF-C (continuous-servo autofocus) or M (manual)
Shooting mode	S (single frame)

- Set the Timer

- Press the SET button ⑥. SET will flash in the display panel.



The trigger can be connected to the camera after the timer has been set

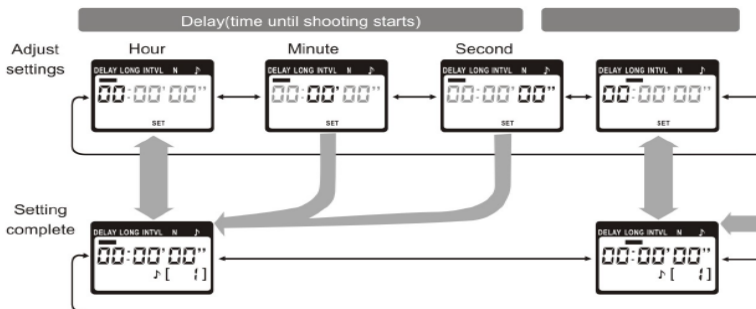
- Set the timer

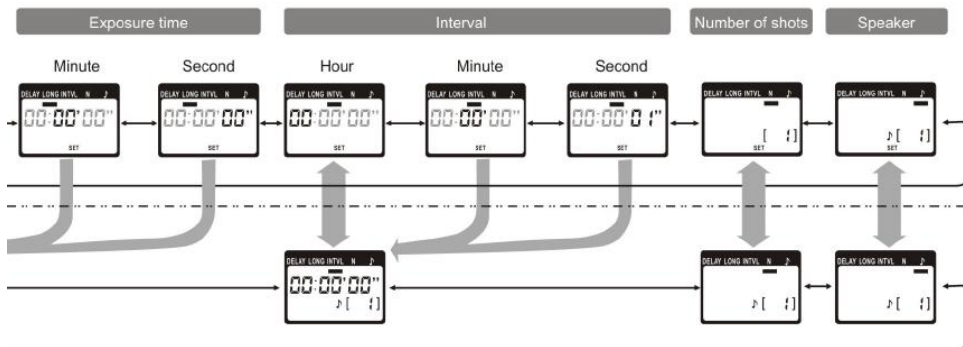
- Adjust the following settings:

DELAY	Delay before shutter is released	0s to 99h 59 min 59s (in one-second increments)
LONG	Exposure time	0s to 99h 59 min 59s (in one-second increments)
INTVL	Interval	1s to 99h 59 min 59s (in one-second increments)
N	Number of shots	1 to 399, -- (unlimited)
🎵	Speaker on/off	

- Setting the timer

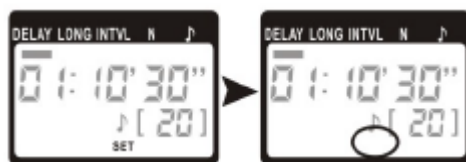
Use the arrow button to set the timer. Press left or right to select, up or down to change. The current selection is indicated by the selection cursor. Press SET **Ⓢ** at any time to complete the operation and display the new settings for the selected item. To view other settings, press the arrow button left or right. The current selection is indicated by the selection cursor. Press the SET **Ⓛ** button to edit the current setting as described above.





To ensure correct operation, choose an interval at least one second longer than the exposure time. When using autofocus, set the delay to two seconds or more and choose an interval at least two seconds longer than the exposure time to ensure that the camera has time to focus. When using long exposure noise reduction (available with some digital cameras), the interval should be at least twice the exposure time. Intervals of 00:00:00 will automatically be reset to 00:00:01 when the SET button ⑥ is pressed to put settings into effect. To set the number of shots to - (unlimited), select 1 and press the arrow button ⑧ down or select 399 and press the arrow button up.

After adjusting all settings as desired, press the SET button ⑥ to put the new settings into effect. Timer will issue a beep (if speakers are turned on), and the SET indicator will go out.



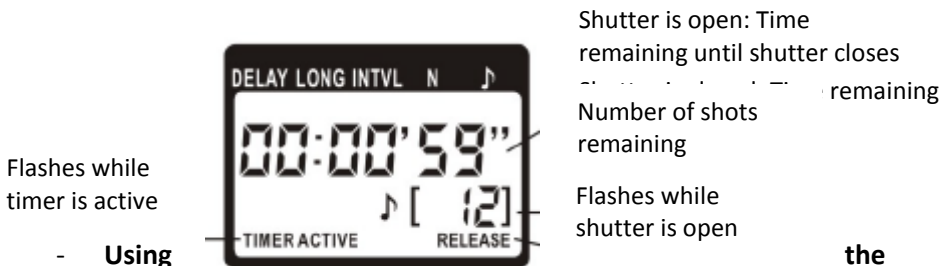
The new settings will remain in effect until changed or until the batteries are removed or exhausted.

- **Start the timer**

Press the **TIMER START/STOP** button ⑤. The timer will start and **TIMER ACTIVE** ⑤ will flash in the show panel. Between shots, the control panel will show the time remaining until the next photograph is taken. During the two seconds before the shot, the camera focuses and the green lamp lights up. While the shutter is open, the show panel will show the time remaining until the shutter closes, and the release lamp and **RELEASE** indicator ⑧ will flash at one second intervals. If the speaker is turned on, the timer will beep at one second intervals. After each shot, the remaining number of shots will be updated.

- **End Shooting**

Shooting will end automatically when the selected number of shots has been taken. To end shooting before all photographs have been taken, press the **TIMER START/STOP** button ⑤



Flashes while timer is active

Shutter is open: Time remaining until shutter closes
 Number of shots remaining
 Flashes while shutter is open

- **Using Timer**

the

Before using the timer for extended periods, check that the batteries have enough charge. Replace the batteries when the low battery indicator flashes in the show panel ④.

- **Using the camera to select shutter speed**

To take photographs at the shutter speed selected with the camera, adjust settings as follows:

	Exposure mode	M or S
--	----------------------	--------

Camera	Shutter speed	Any
	Interval timer	OFF
	Focus mode	AF-C select “release priority” if available or M
	Shooting mode	S
MC	Exposure time	0 sec
	Interval	Longer than camera shutter speed *

*When using autofocus, choose an interval at least two seconds longer than the camera shutter speed to allow the camera time to focus. When using long exposure noise reduction (available with some digital cameras), choose an interval at least double the camera shutter speed.

The trigger shutter release button ⑨ functions in much the same way as the camera shutter-release button.

- Adjust Camera Settings

Connect the trigger and turn the camera on. Choose exposure mode, shutter speed, focus mode and shooting mode as desired.

- Take Pictures

Press the trigger shutter-release button ⑨ halfway and check focus and exposure. When you focus, the green light lights up. And then click to complete the photographs. When the shutter opens, the device issues a beep every second, the RELEASE indicator ⑧ will flash, and the display will show time for which the shutter is open.

To keep the shutter-release button fully pressed for bulb photography,



slide the button to the HOLD position. Slide it in the opposite direction to release the lock.

- Release the button to end shooting.

6. Solve problems

Problem	Possible cause	Solution
Radio trigger shows no function	Radio receiver is switched off	Switch on radio receiver
	Batteries on the transmitter/receiver are low	Replace the battery See <i>Replacing Batteries</i>

7. Maintenance of the device

7.1 Continuous inspections and maintenance of the device

What you should do	Before each use
Inspect all cables and connectors for damage. If damaged: ▲ Have the device repaired by an electrician	X

7.2 Cleaning the device

▲ Please ensure that contact between the device and moisture or water is avoided.

NOTE: Please only use cleaning supplies as specified in the following table.

Transmitter / Receiver	Cleaning

Casing	Remove light and persistent stains with microfiber cloth
--------	--

8. Accessoires and options

You can find extensive accessories for your device in our web shop.

9. Disposal and environmental protection

Please dispose of your device at your local disposal area. This service is free of charge to you.

10. Technical Specifications

Transmitter	
Dimensions (HxWxD)	approx. 15.5x4x2cm
Weight	approx. 75g
Batteries	2x AAA batteries
Receiver	
Dimensions (HxWxD)	approx. 5x4x2.5cm
Weight	approx. 30g
Batteries	CR2 lithium 3V battery

Frequency Channels	16
Radio Frequency	2.4GHz wireless
Cable Length	approx. 100cm

Reference to declaration of conformity:

„Herewith Foto Walser GmbH & Co. KG declares that the device Radio Flash Trigger Set Duo conforms to the basic requirements and the remaining corresponding regulations of the directive 1999/5/EG.“ The declaration of conformity can be requested at the following address: info@foto-walser.de.

11. Compatibility

C1

Pentax K100D,K110D,K10D,*ist Ds2, *ist D,*ist Ds, *ist, *ist DL, *ist DL2
 Samsung GX-1L, GX-1S, GX-10
 Canon EOS 30,33,50E,300,300V,3000,50,300D(Digital Rebel), 350D(Digital Rebel XT),400D(Digital Rebel XTi), 450D(Digital Rebel XSi), 500D,1000D

C3

Canon EOS 1Ds Mark II , 1Ds Mark III, 1Ds, 1D Mark Iv, 1D Mark II N, 1D Mark III, 5D Mark II, 1D,5D,7D,50D,40D,30D,20D,10D,D60,D30,D2000,1v HS, 1v, 3

E2

Olympus SP-510UZ, SP-550UZ,E400,E410,E510,E450,E520,E420

E3

Olympus E1,E3,E10,E20,E20N,E100RS,C2500L,E300(via the HLD3 power battery holder) C8080WZ(Via the B-HLD30 power battery holder), C7070WZ (via the B-HLD20 power battery holder),C5060WZ(via the B-HLD20 power battery holder)

N1

Nikon D2H,D2Hs,D1x,D1h,D1,D2X,D2Xs,D200,D300,D3,D3X,D3s, D2Hs, D300S, D700, F5, F6, F100, F90, F90x, D100(MB-D100 Vertical Grip/Battery Holder needed), Kodak DCS-14n, Fujifilm Finepix S3pro, S5pro

N2

Nikon D70S,D80

N3

Nikon D90, Nikon D5000

S1

Sony Alpha DSLR-A100,SIR-A200,SIR-A300,SLR-A350,SLR-A700,SLR-A900,Alpha 5D,Alpha 7D
 Minolta Maxxum/Dynax/AF 7D,5D,9,7,5,4,3,807si,800si,700si, 600si,505si,500si,Sweets,9000,7000,5000,Dimage 7Hi,7i,7,5

P1

Panasonic