

walimex

Copy of Instruction Manual



Ceiling Rail System

FOTO WALSER
SPEZIALVERSAND

Gewerbering 26

86666 Burgheim

Tel. +49/84 32 / 9489-0

Fax: +49/84 32 / 9489 - 8333

eMail: info@foto-walser.de

www.foto-walser.de

Content

1.	How to understand the instruction manual	3
1.1	Markings in the manual.....	3
2.	Important safety notes	4
3.	Unpack and check the system	5
4.	Overview about the parts	5
5.	Quick start guide	5
6.	Mount ceiling rail system and prepare for operation	6
6.1	Mount ceiling rail system	6
6.2	Mount studio device	7
7.	Operation of ceiling rail system.....	7
7.1	Adjust position	8
7.2	Adjust height	8
8.	Maintenance	8
8.1	Continuous inspections	8
8.2	Cleaning.....	9
9.	Accessories and options.....	9
10.	Spare and upgrade parts	9
11.	Technical Specifications	9

Thank you very much for your confidence. We wish you much pleasure and success with your studio flash.

The Ceiling Rail System is the innovative solution for studio photographers. The pantographs ensure a stepless extension, so that even pictures from smaller objects, which are standing on the ground, are possible without problems. The 5/8 inch spigots are suitable for all common studio lights and studio flashes. Mounting parts are not included in delivery. Please make sure, that the ceiling, on which the system should be mounted, is enough sturdy. You can certainly find pantographs in our assortment as to upgrade your system.

The main features of your walimex Ceiling Rail System as follows:

- facilitates your activities in the photo studio
- no disturbing tripods
- flexible working through movable and extendable pantographs
- upgradable system



- **Please read these instructions carefully before using your device for the first time. It includes everything you need to know to avoid physical injuries and damages.**
- **Please pay attention to all safety notes in this instruction manual.**
- **Please keep this manual safe. In case of selling or leaving the device to other persons, please don't forget to hand this manual over as well.**

1. How to understand the instruction manual

1.1 Markings in the manual

Marking	Meaning
	Indicates the handling and consequences of safety notes.
WARNING	Indicates a hazardous situation, which, if not avoided, could result in a serious injury or death .
CAUTION	Indicates a hazardous situation, which, if not avoided, may result in minor or moderate injury.
<i>ADVICE:</i>	Indicates potentially physical damages and other important information in connection with your device.

2. Important safety notes

WARNING

Danger of falling parts. The weight of the Ceiling Rail System is approx. 24,5kg. A load capacity from 6kg per pantograph should not be exceeded. Please pay attention to the load capacity from your ceiling. *Advice:* the weight of your studio flashes is given in the appropriate user manual.

- **The Ceiling Rail System should just be mounted on ceilings, which can ensure enough stability and therewith the load capacity.**

- Just use suitable mounting parts.
- Mount the Ceiling Rail System securely and sturdily. Tighten all screws of the Ceiling Rail System and the mounting screws of the rails after repeated use.
- When mounting the Ceiling Rail System on the ceiling, please pay attention to possibly underneath mounted power cables or water pipes – Danger of electric shock.

⚠ WARNING

Danger of crashing, entrapment and burning through hanging down or falling down devices or parts

- Make sure, that the Ceiling Rail System is always mounted securely and sturdily.
- Make sure, that all devices are mounted securely and fastened with the safety cable.
- Avoid placing cables where they can be tripped over. The device could fall down.
- Avoid squeezing power cables when using the pantographs or carriage rollers – Danger of electric shock.
- Please just use accessories and spare parts, which are conform to the required specifications. See *Technical Specifications*.
- Remove easily inflammable materials.
- Avoid bringing hairs, clothes and loose pieces into the pantographs or into the lifting mechanism.
- Make sure not to bring your fingers into the lifting mechanism – Danger of entrapment.
- Don't touch the guide rails during mounting, cleaning, operation and position change or when moving the pantographs – Danger of entrapment.

⚠ CAUTION

Danger of burning on hot parts

The lamps of the studio devices could heat up according to the specified temperatures given from the supplier. *Advice:* The time for cooling down is given in the user manual of your studio devices.

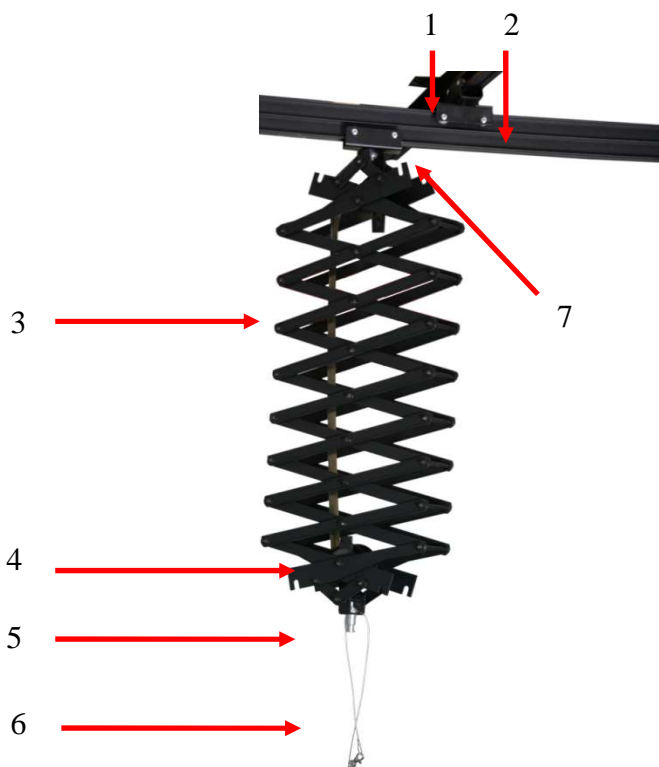
- Don't touch these parts during position change, operation and cooling down.
- Let the devices cool down completely before starting any mounting or maintenance arrangements.

3. Unpack and check the device

- Please unpack your device carefully.
- Please check, if the delivery is complete:
 - 2 Rails á 3m
 - 2 Rails á 4m
 - 3 Pantographs with carriage rollers
 - 3 Safety Cables
 - 4 Ceiling Mounts for rails
 - 3 Cable Runners for pantographs
 - 4 Carriage Rollers for rails
 - 12 End Stopper
 - 1 Instruction Manual in german. The english version can be downloaded on www.foto-walser.de
- Please check, if the delivery is undamaged.
ADVICE: If the delivery should be uncomplete or damaged, please contact info@foto-walser.de or our service hotline with the telephone number +49 84 32 / 9489-0.

4. Overview about the parts

1. Ceiling Mount
2. Guide Rails
3. Pantographs with carriage roller
4. Lift Mechanism
5. 5/8 Spigot Connection for studio device
6. Safety Cable
7. Carriage Roller



5. Quick start guide

ADVICE:

The detailed instruction for the following operations can be found in the respective chapters in this instruction manual.

Keep the sequences of the following operation steps when using the device for the first time to avoid damages on the device.

⚠ WARNING

Please note the safety notes in the respective chapters throughout operation.

- Mount Ceiling Rail System
- Mount device
- Adjust position

6. Mount Ceiling Rail System and prepare for operation

6.1 Mount Ceiling Rail System

ADVICE: The mounting of the Ceiling Rail System should be carried out with at least 2 persons.

⚠ WARNING

Danger of falling parts. The weight of the Ceiling Rail System is approx. 24,5kg. A load capacity from 6kg per pantograph should not be exceeded. Please pay attention to the load capacity from your ceiling. Advice: the weight of your studio flashes is given in the appropriate user manual.

- **The Ceiling Rail System should just be mounted on ceilings, which can ensure enough stability.**
- **Mount the Ceiling Rail System securely and sturdily. Tighten all screws of the Ceiling rail System and the mounting screws of the rails after repeated use. Check all mountings regularly, if they are still tightened securely.**
- **When mounting the Ceiling Rail System on the ceiling, please pay attention to possibly underneath mounted power cables or water pipes – Danger of electric shock.**

Step I

Insert the ceiling mount backwards and frontwards on the guide rail. Afterwards, please mark your bore holes while holding the guide rail on the ceiling. After boring your bore holes, you can mount the first guide rail on the ceiling. Please treat the opposite guide rail with ceiling mount on the same way.



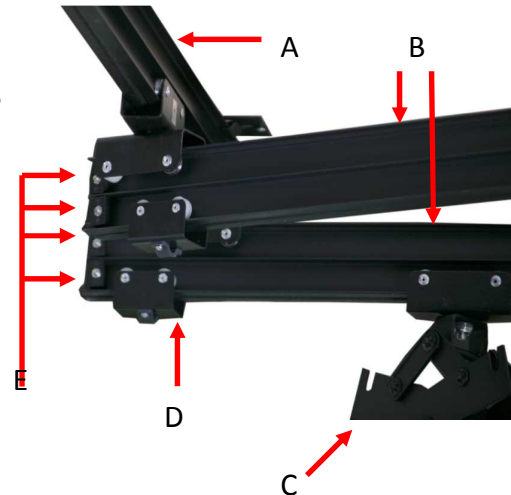
Step II

Insert 2 carriage rollers on each guide rail of the diagonal rails. **CAUTION:** Protect the carriage rollers immediately with end stoppers at the end of the guide rails as to avoid a rolling out. Afterwards, insert the guide rail with the help of the carriage rollers in the ceiling guide rail and protect it immediately with end stoppers. **ADVICE:** Make sure, that the end stoppers are mounted securely and sturdily.



Step III

On the diagonal rails, which were mounted in the last step, you can now insert your pantographs with carriage rollers due to your requirements. You have to use one cable runner per carriage roller. Protect them with end stoppers at their ends. **ADVICE:** Make sure, that the end stoppers are mounted securely and sturdily.



- A Guide Rail with ceiling mount
- B Guide Rail diagonal
- C Pantographs with carriage rollers
- D Cable Runner
- E End Stopper

6.2 Mount studio device

⚠ WARNING

Danger of crashing and entrapment through hanging down or falling down devices. A load capacity from 6kg per pantograph should not be exceeded. See Technical Specifications.

- **Make sure, that the devices are always mounted securely and sturdily and that the safety cable is installed.**
- **Avoid placing cables where they can be tripped over. The device could fall down.**
- **Avoid bringing hairs, clothes and loose pieces into the pantographs or into the lifting mechanism.**
- **Make sure not to bring your fingers into the lifting mechanism during operation and mounting – Danger of entrapment.**
- **Don't touch the guide rails during mounting, cleaning, operation and position change or when moving the pantographs – Danger of entrapment.**

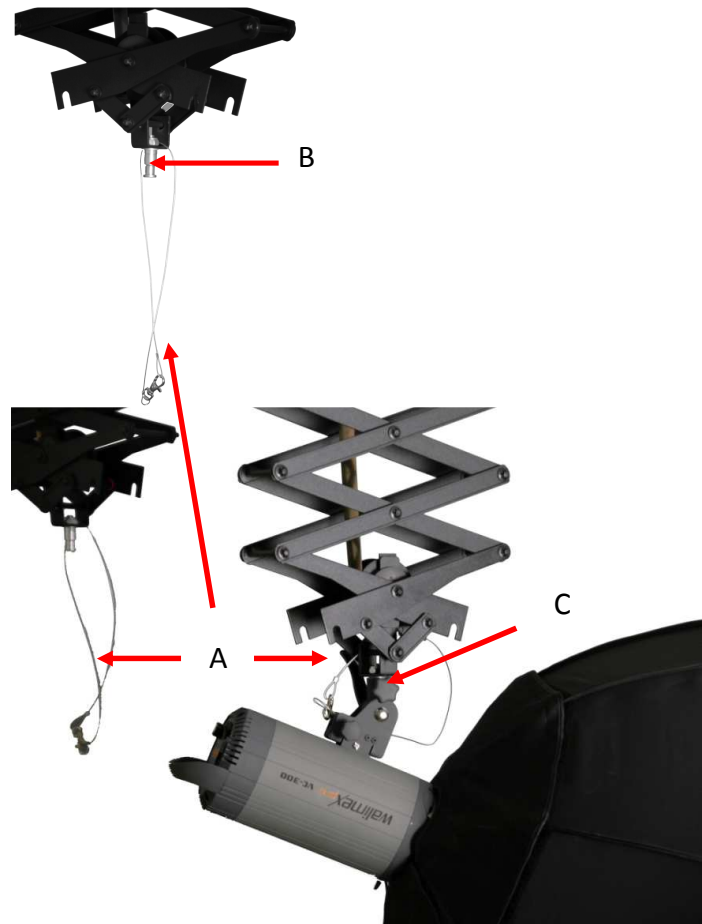
Step I

Insert the lamp holder of the studio device onto the 5/8 inch spigot of the pantograph. Tighten the mounting screw of the lamp holder fast.

Step II

As to avoid a downfall, please connect the safety cable on the pantograph with the studio device. Make sure, your device is mounted securely and sturdily.

- A Safety Cable
- B 5/8 inch Spigot
- C Lamp Holder with mounting screw



7. Operation of Ceiling Rail System

⚠ CAUTION

Danger of burning on hot parts

The lamps of the studio devices could heat up according to the specified temperatures given from the supplier. Advice: The time for cooling down is given in the user manual of your studio devices.

- Don't touch these parts during position change, operation and cooling down.
- Let the devices cool down completely before starting any mounting or maintenance arrangements.

⚠ WARNING

Danger of crashing and entrapment through hanging down or falling down devices

- Make sure, that all devices are mounted securely and fastened with the safety cable.
- Avoid placing cables where they can be tripped over. The device could fall down.
- Avoid bringing hairs, clothes and loose pieces into the pantographs or into the lifting mechanism.
- Make sure not to bring your fingers into the lifting mechanism during operation and mounting – Danger of entrapment.
- Don't touch the guide rails during mounting, cleaning, operation and position change or when moving the pantographs – Danger of entrapment.

7.1 Adjust position

- Move your studio devices along the guide rails according to your requirements.
- After finishing your work, you can move your studio devices into a corner.

7.2 Adjust height

- For adjusting the height, just pull the pantographs with carriage rollers downwards/upwards.

8. Maintenance

8.1 Continuous inspections

What you should do?	Before every operation
Check mounting screws and end stopper Tighten them if necessary	X
Check studio devices on stability Tighten mounting screws if necessary	x
Check carriage rollers and end rollers on damages. In case of damage: change them immediately if possible. ⚠ WARNING! Please do not use the System any longer. Contact the manufacturer Foto-Walser.	x

8.2 Cleaning

⚠ WARNING

Danger of crashing, entrapment and burning through hanging down or falling down devices

- **Make sure, that all devices are mounted securely and fastened with the safety cable.**
- **Make sure not to bring your fingers into the guide rails, pantographs and carriage rollers during cleaning.**
- **Avoid bringing hairs, clothes and loose pieces into the pantographs or into the lifting mechanism.**

ADVICE: Just use the following specified cleaning supplies.

Ceiling Rail System	Cleaning
Guide Rails	Use a microfiber cloth to remove light and stubborn dirt.
Pantographs	Wipe off with dust brush or dry, soft cloth
Carriage Roller	Wipe off with dust brush or dry, soft cloth

9. Accessories and options

You can find extensive accessories for your device in our webshop.

10. Spare and upgrade parts

Part of the device	Item number
Cable Runner for pantograph	50181
Safety Cable for pantograph	50180
Pantograph for Ceiling Rail System	16249

11. Technical Specifications

Ceiling Rail System	
Dimensions Ceiling Rail System (LxW)	approx. 400x300cm
Dimensions of Pantograph (LxWxH)	approx. 30x10x40cm
Max. Move-Out Pantograph	approx. 200cm
Total Weight	approx.24,5 kg
Max. Load Capacity of Pantographs	6000 g
Extendable on max.	4 Pantographs (2 Pantographs per guide rail)
Connection	5/8 inch spigot